



## Premium Plus 'A' Rated Windows Section Identification

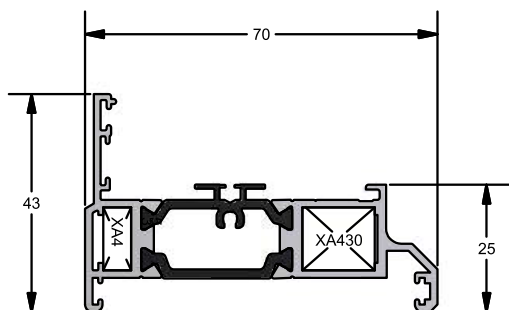
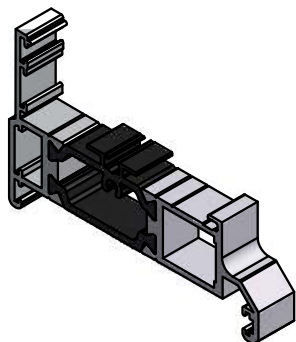
### Contents

- Slim Direct Fix, Equal Leg and Odd Leg Frames Page 2
- Slim 'A' Rated Window Vent Page 3
- Slim 'A' Rated Window Transom / Mullion Page 3
- Slim Direct Fix, Equal Leg and Odd Leg Flat Vent Page 4
- Head Extension For Trickle Vents Page 5
- Mullion / Transom Combination Page 6



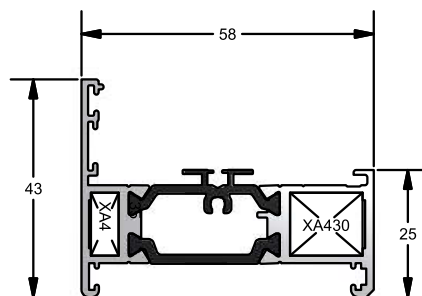
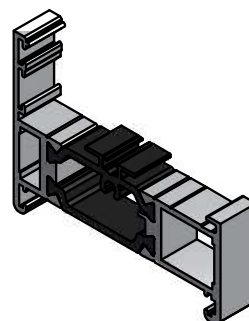
Outer Frames

AW 600



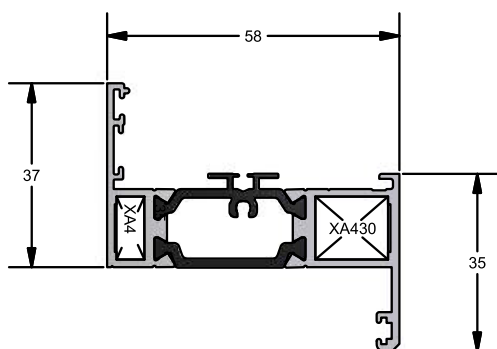
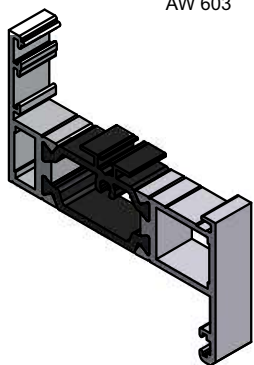
PART NO.	DESCRIPTION	lyy CM <sup>4</sup>	lxx CM <sup>4</sup>
AW600	D/F Slim Frame	3.36	21.94

AW 604



PART NO.	DESCRIPTION	lyy CM <sup>4</sup>	lxx CM <sup>4</sup>
AW604	Equal Leg Slim Frame	3.26	16.71

AW 603

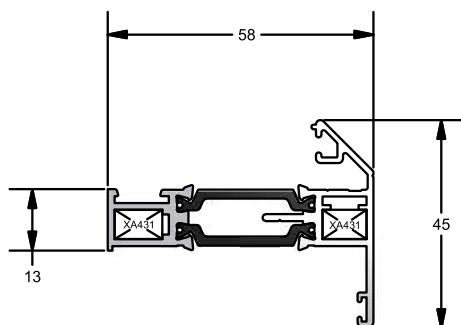
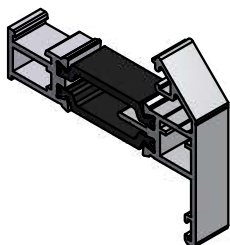


PART NO.	DESCRIPTION	lyy CM <sup>4</sup>	lxx CM <sup>4</sup>
AW603	Odd Leg Frame	4.02	17.44



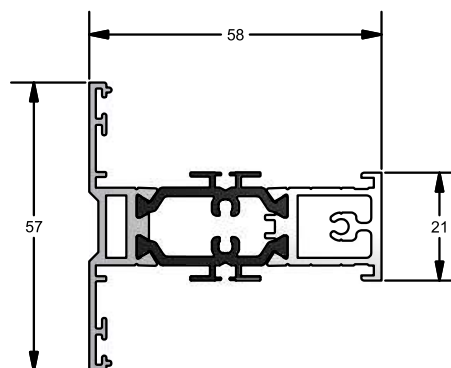
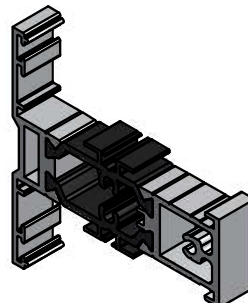
Sash/ Vent, & Mullion/ Transom

AW 614



PART NO.	DESCRIPTION	lyy CM <sup>4</sup>	lxx CM <sup>4</sup>
AW614	I/G Flat Vent	6.49	23.86

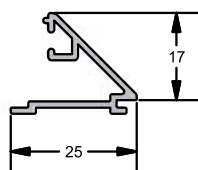
AW 631



PART NO.	DESCRIPTION	lyy CM <sup>4</sup>	lxx CM <sup>4</sup>
AW631	Slim Feat. Mullion/Transom	4.77	18.97

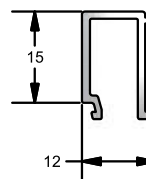
Bead Options

AW 513



PART NO.	DESCRIPTION
AW513	28mm Bead

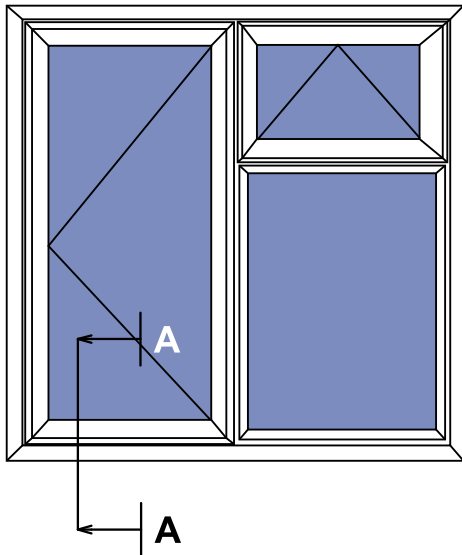
AW 663



PART NO.	DESCRIPTION
AW663	Flat I/G Vent Bead

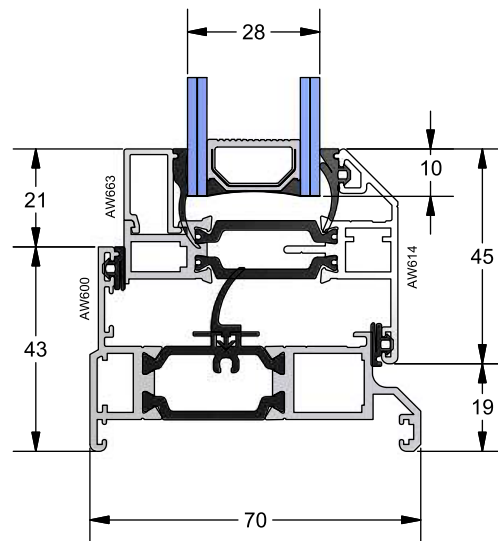


**AW 614 - Internal Glazed Flat Vent**

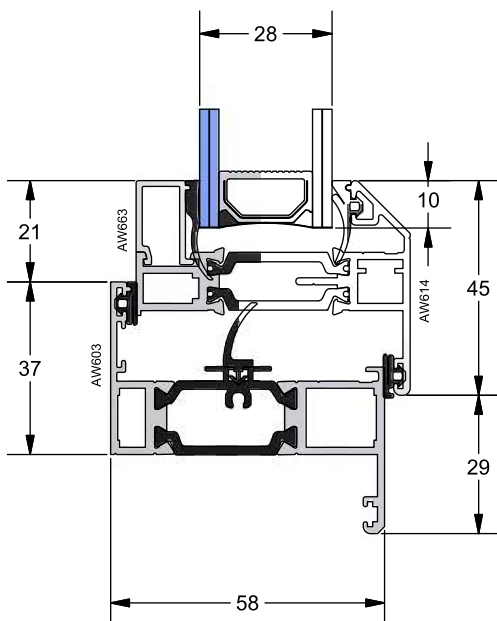


A - A

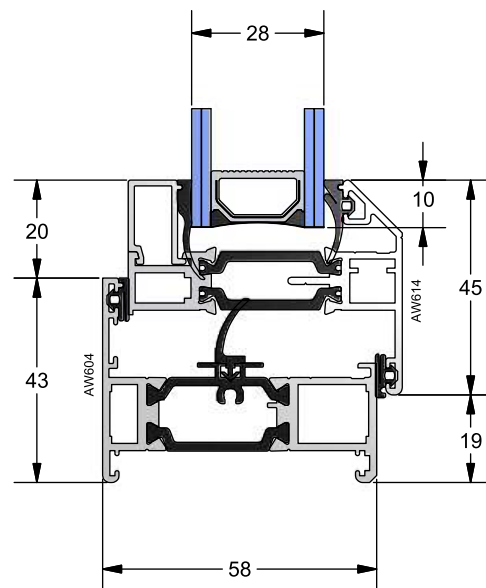
**AW 600**  
Direct Fixed Slimline Frame Detail



**AW 603**  
Odd Leg Frame Detail

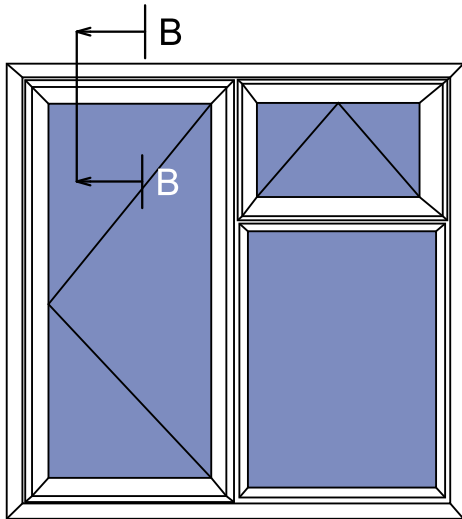


**AW 604**  
Equal Leg Slim Frame Detail

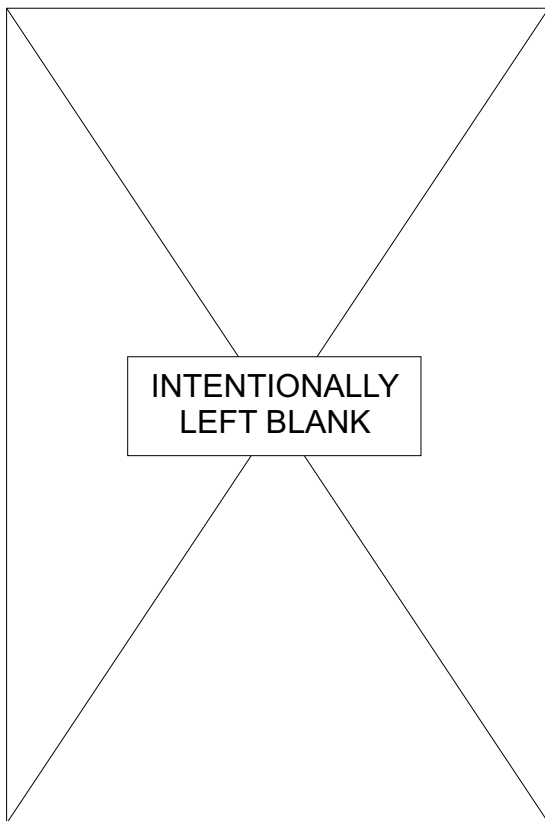




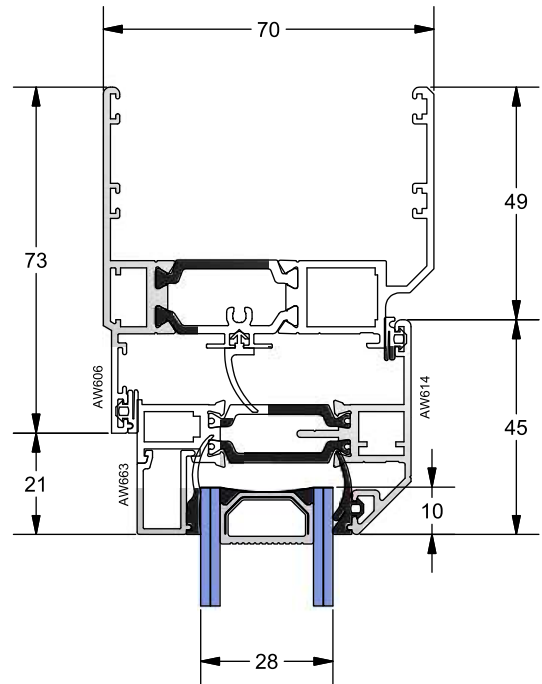
**AW 614 - Internally Glazed Flat Vent - For Trickle Vents**



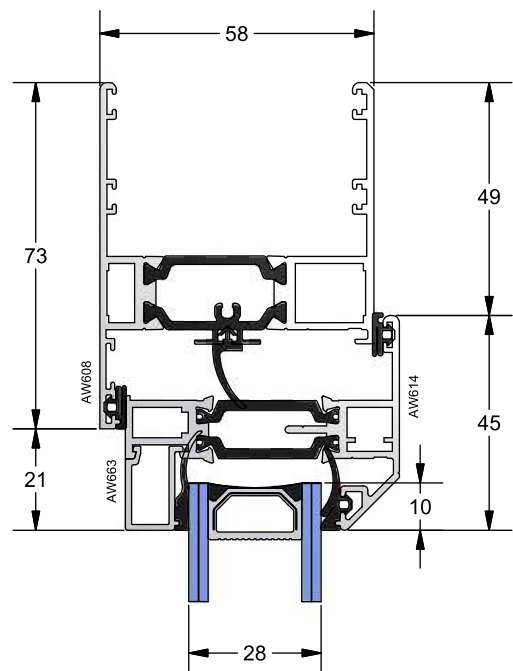
B - B



**AW 606**  
Direct Fixed Deep Frame Detail



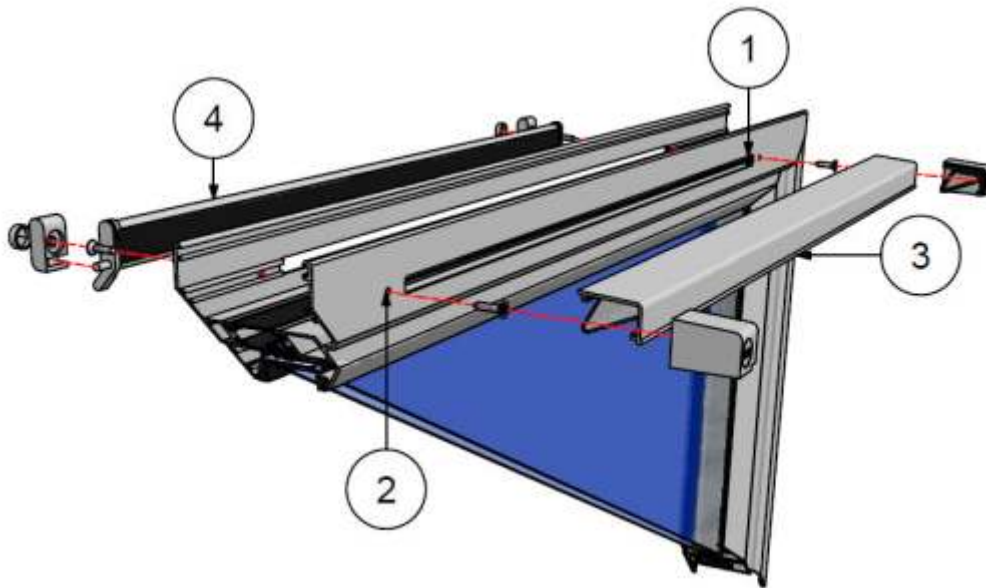
**AW 608**  
Deep Equal Leg Frame Detail





**Internally Glazed Flat Vent - For Trickle Vents**

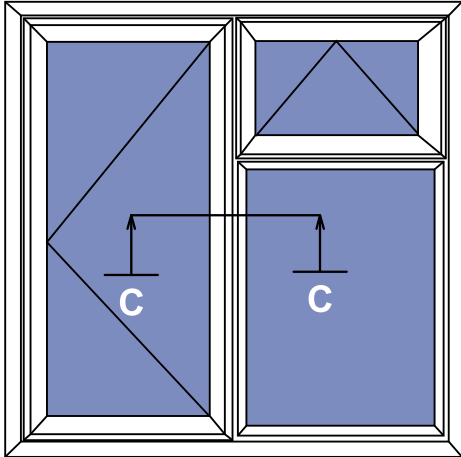
The above sections show the deep head sections required to allow the fitting of trickle vents.



- 1. Rout Slot.
- 2. Fixing holes.
- 3. Trickle Vent hood (exterior)
- 4. Trickle Vent Interior Flap.



Mullion / Transom Combination



C - C

AW 631

Slim Mullion/Transom Detail

